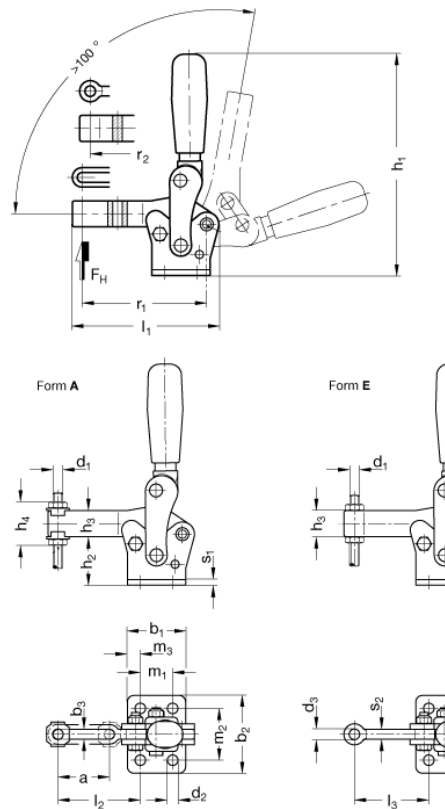


# Data Sheet



Article number: 20910850E  
 Description: E+G vertical clamp  
 GN 910-850-E

## Measures



a	= -	h1	= 280	m1	= 55
b1	= 75	h2	= 67	m2	= 55
b2	= 75	h3	= 30	m3	= 10
b3	= -	h4	= -	r1	= -
d1	= M12	Holding force N	= 8500	r2	= 133
d2	= 10.5	l1	= -	s1	= 6
d3	= 12.5	l2	= -	s2	= 12
Form E	= 161	l3	= 75	Size	= 850